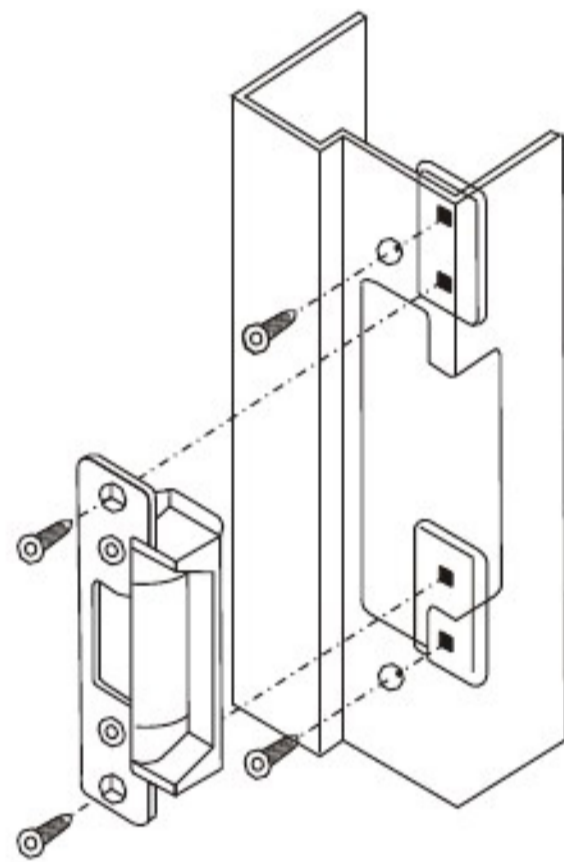




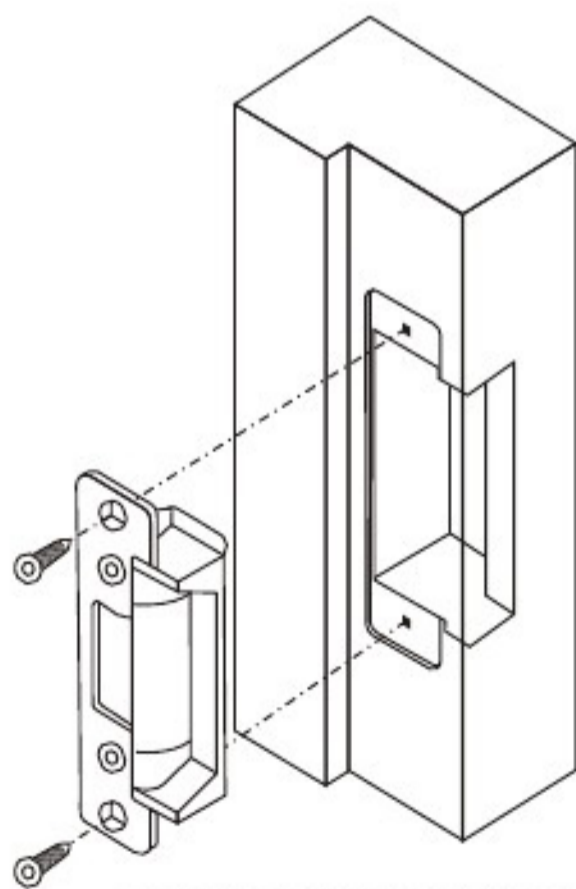
# 5500 Series Electric Strike



5500 Series Electric Strike



Installed on aluminum, metal, PVC doors



Installed on wood door

## 5500 Series Electric Strike

Electric Strike for use with rim exit device on door applications (Wood, aluminum, metal, PVC) except for glass door. This easy-to-install electric strike was created for medium duty applications, specifically to control traffic flow through interior and exterior openings in retail and commercial environments.

## Options

- Door Status Monitor
- 24VDC on request

Features	Benefits
Fail-safe/fail-secure	Easily changed in the field No additional parts are required
Non-handed	Can be used for doors opening in either direction
Tamper resistant design	Minimizes unauthorized access
Internal solenoid	Increases the ease of installation
Continuous duty operation	Solenoid can be continuously powered, low working current
Heavy-duty construction	• Die cast Zinc backbox offers strong, corrosion resistant design
	• Stainless steel faceplates are corrosion resistant
	• High density steel keeper can withstand over 1650 lbs. of force

## Specifications

Dimension	Lock Body	Faceplate
	3.35"x1.69"x1.38"	4.87"x1.25"x0.12"
Current/Voltage	240mA@12VDC standard; 120mA@24VDC on request	
Installation	Flush mounted	
Output Signal	DSM on request	
Throw	Accepts 15mm throw Latchbolt	